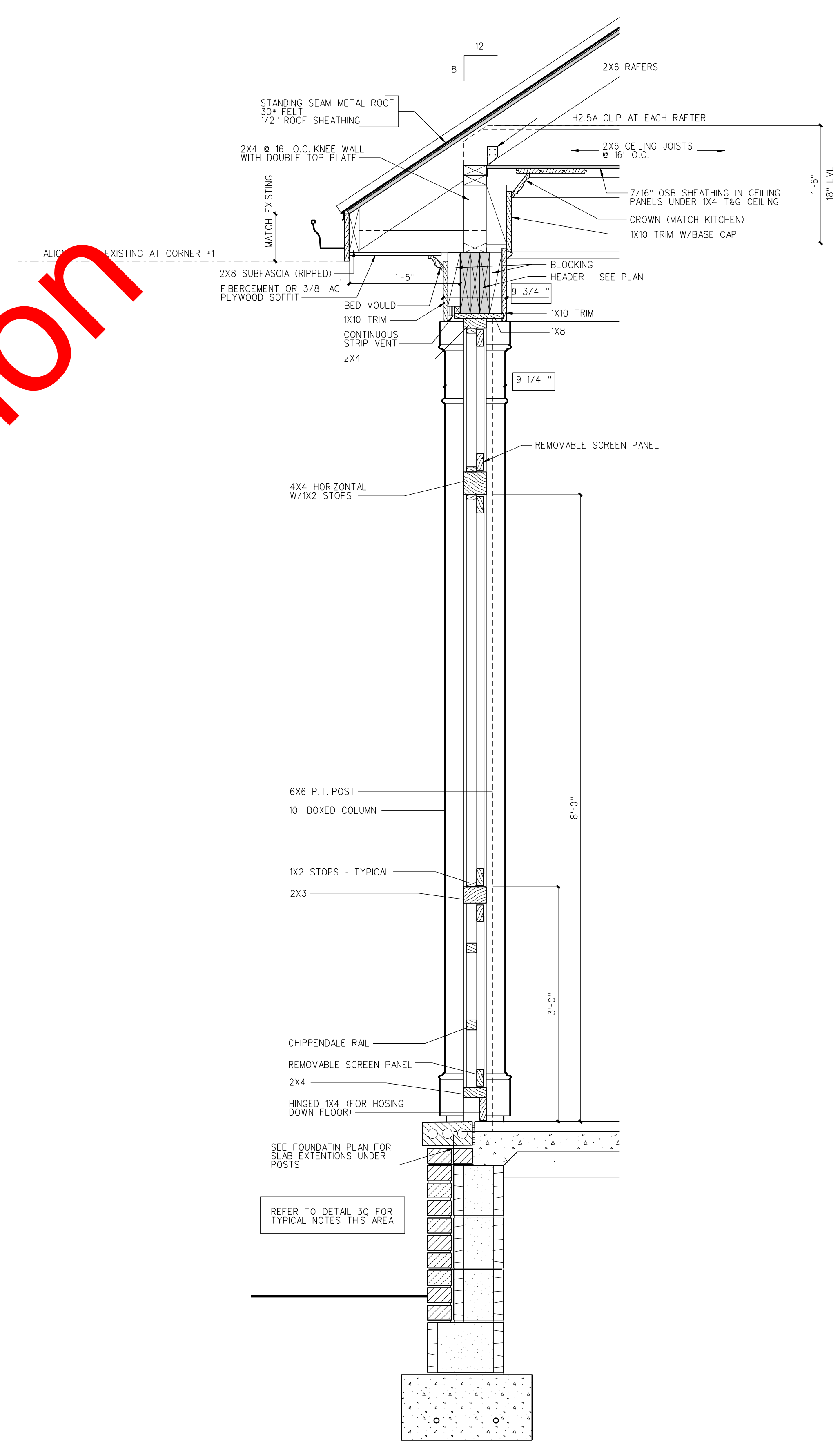
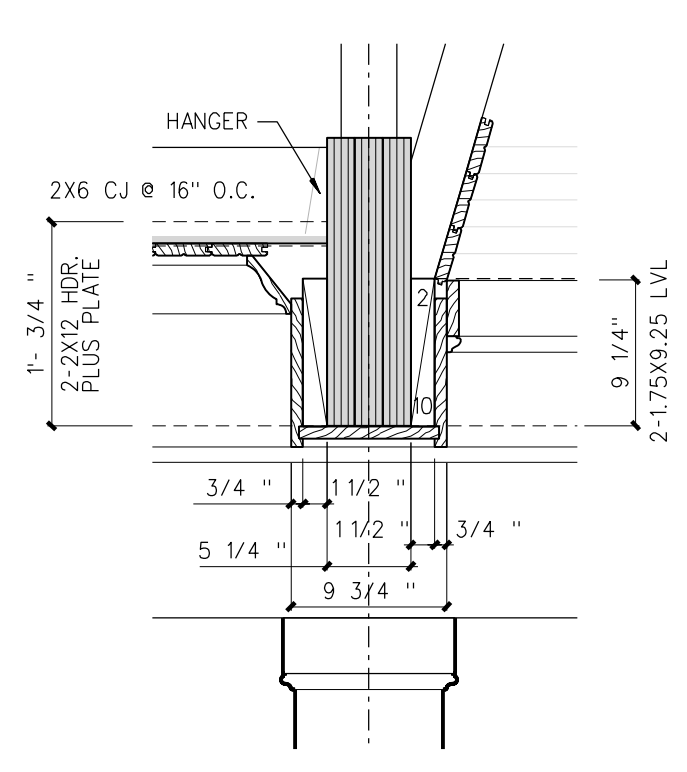


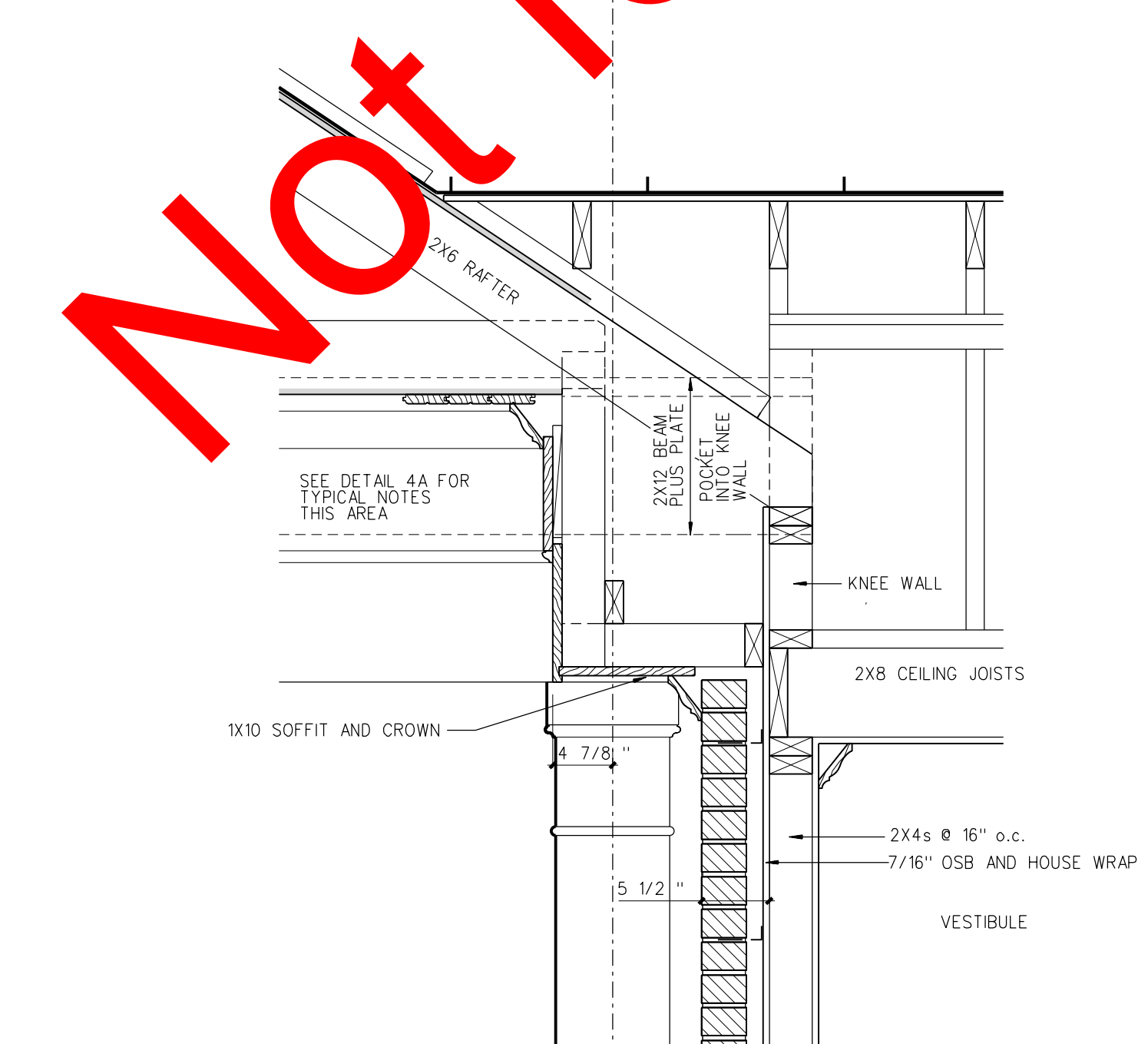
G CUPOLA DETAIL SCALE: 1" = 1'-0"



A PORCH WALL SECTION SCALE: 1" = 1'-0"



D COFFER DETAIL



C CORNICE DETAIL SCALE: 1" = 1'-0"

Not for Construction